

# High Speed Power Driver

## FEATURES

- 1.5A Source/Sink Drive
- 100 nsec Delay
- 40 nsec Rise and Fall into 1000pF
- Inverting and Non-Inverting Inputs
- Low Cross-Conduction Current Spike
- Low Quiescent Current
- 5V to 40V Operation
- Thermal Shutdown Protection
- MINIDIP and Power Packages

## DESCRIPTION

The UC1705 family of power drivers is made with a high speed Schottky process to interface between low-level control functions and high-power switching devices - particularly power MOSFETs. These devices are also an optimum choice for capacitive line drivers where up to 1.5 amps may be switched in either direction. With both Inverting and Non-Inverting inputs available, logic signals of either polarity may be accepted, or one input can be used to gate or strobe the other.

Supply voltages for both  $V_s$  and  $V_c$  can independently range from 5V to 40V. For additional application details, see the UC1707/3707 data sheet.

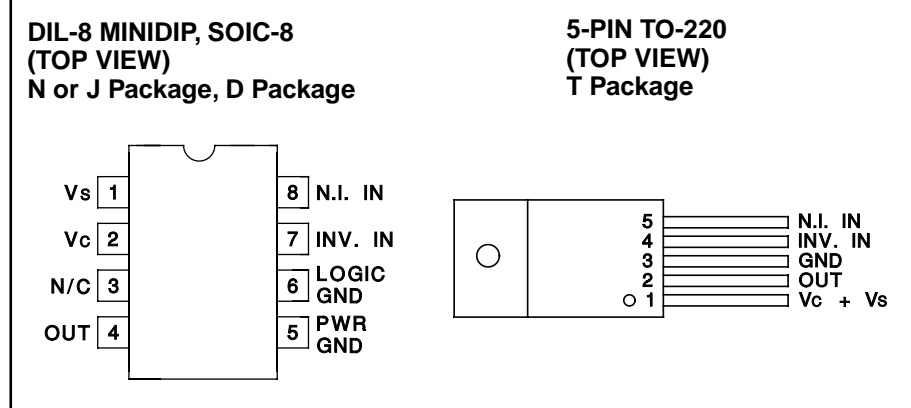
The UC1705 is packaged in an 8-pin hermetically sealed CERDIP for -55°C to +125°C operation. The UC3705 is specified for a temperature range of 0°C to +70°C and is available in either a plastic minidip or a 5-pin, power TO-220 package.

## TRUTH TABLE

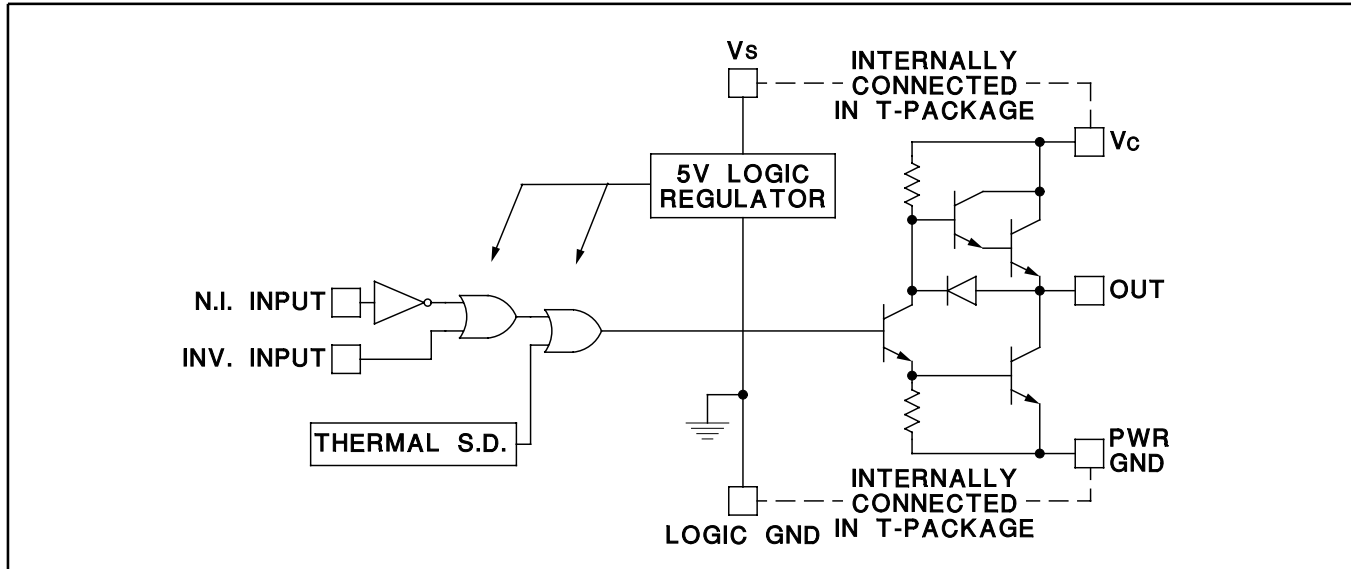
| INV | N.I | OUT |
|-----|-----|-----|
| H   | H   | L   |
| L   | H   | H   |
| H   | L   | L   |
| L   | L   | L   |

$\overline{OUT} = \overline{INV}$  and  $\overline{N.I.}$   
 $\overline{OUT} = INV$  or  $\overline{N.I.}$

## CONNECTION DIAGRAMS



## BLOCK DIAGRAM



## ABSOLUTE MAXIMUM RATINGS

|   | N-Pkg                                       | J-Pkg                                       | T-Pkg                                       |
|---|---|---|---|
| Supply Voltage, $V_{IN}$  | 40V   | 40V   | 40V   |
| Collector Supply Voltage, $V_C$   | 40V   | 40V   | 40V   |
| Output Current (Source or Sink)   |   |   |   |
| Steady-State  | ±500mA                                      | ±500mA                                      | ±1.0A                                       |
| Peak Transient  | ±1.5A                                       | ±1.0A                                       | ±2.0A                                       |
| Capacitive Discharge Energy   | 20μJ  | 15μJ  | 50μJ  |
| Digital Inputs (See Note)   | 5.5V  | 5.5V  | 5.5V  |
| Power Dissipation at $T_A = 25^\circ\text{C}$ (See Note)                | 1W  | 1W  | 3W  |
| Power Dissipation at $T_A$ (Leads/Case) = $25^\circ\text{C}$ (See Note) | 3W  | 2W  | 25W   |
| Operating Temperature Range   | $0^\circ\text{C}$ to $+70^\circ\text{C}$    | $-55^\circ\text{C}$ to $+125^\circ\text{C}$ | $0^\circ\text{C}$ to $+70^\circ\text{C}$    |
| Storage Temperature Range   | $-65^\circ\text{C}$ to $+150^\circ\text{C}$ | $-65^\circ\text{C}$ to $+150^\circ\text{C}$ | $-65^\circ\text{C}$ to $+150^\circ\text{C}$ |
| Lead Temperature (Soldering, 10 seconds)                                | $300^\circ\text{C}$                         | $300^\circ\text{C}$                         | $300^\circ\text{C}$                         |

Note: All currents are positive into, negative out of the specified terminal.

Digital Drive can exceed 5.5V if input current is limited to 10mA

Consult Packaging Section of Databook for thermal limitations and considerations of package.

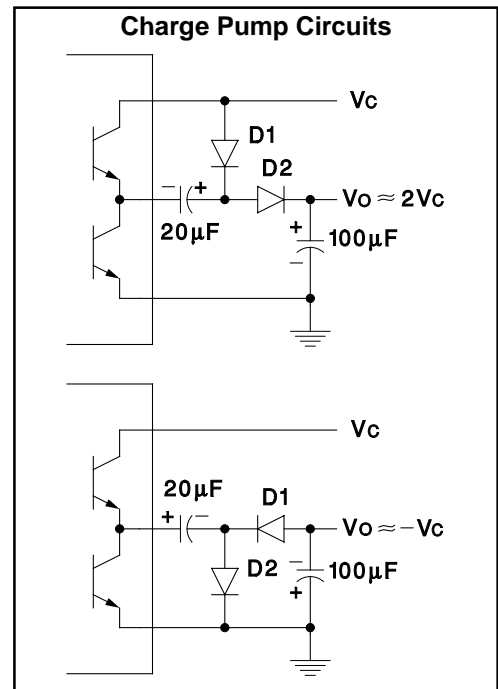
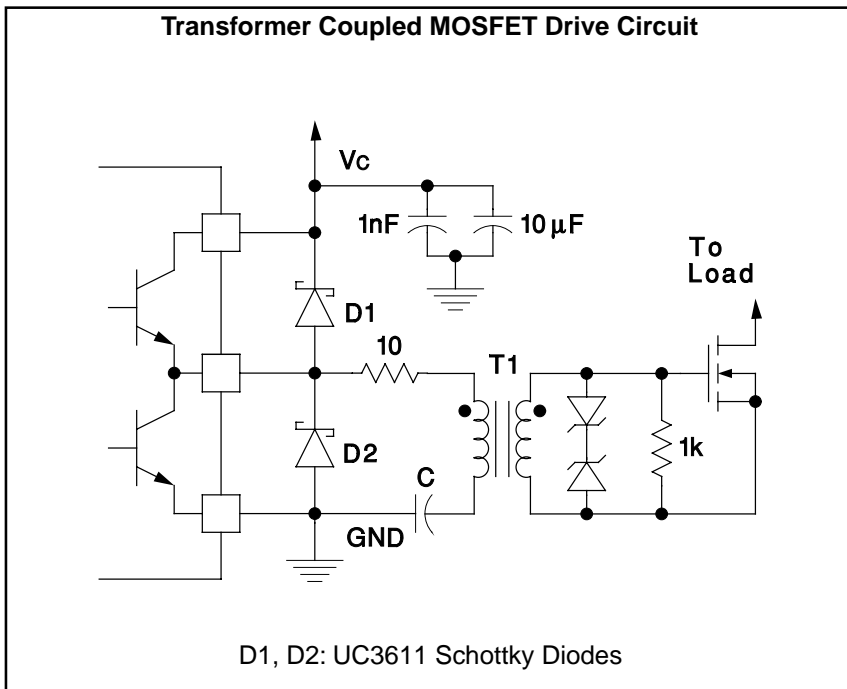
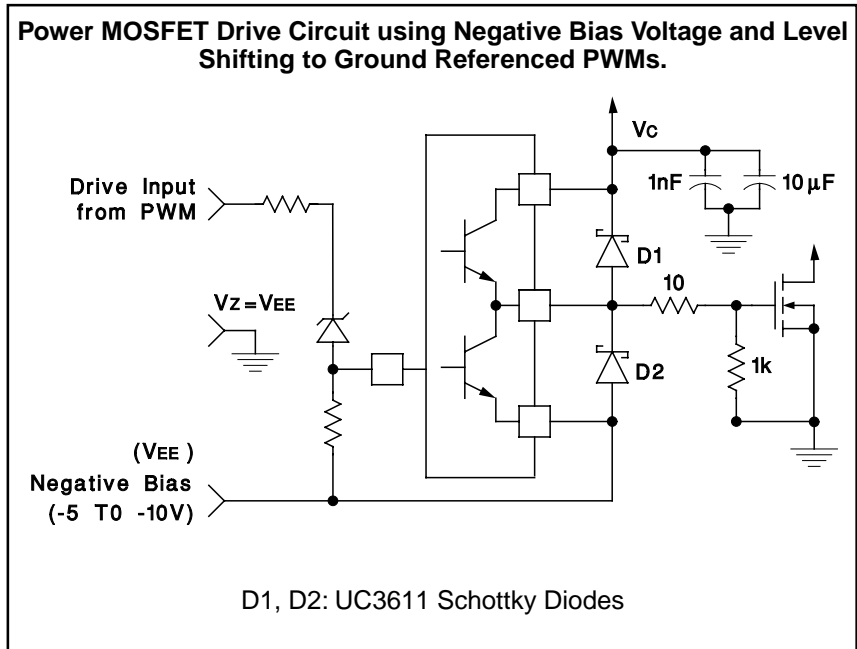
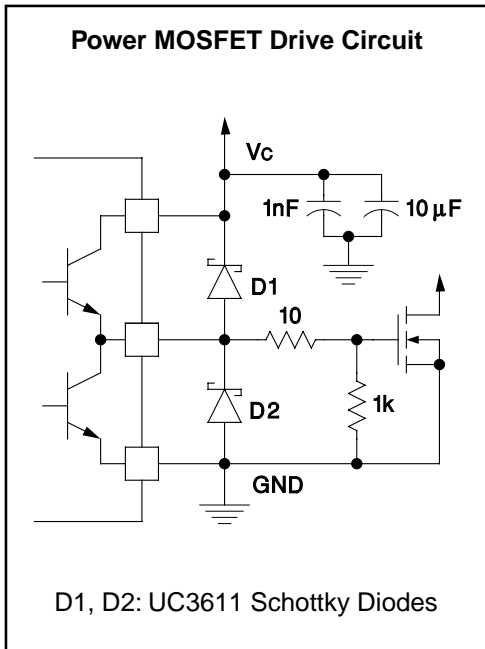
**ELECTRICAL CHARACTERISTICS:** Unless otherwise stated, these specifications apply for  $T_A = -55^\circ\text{C}$  to  $+125^\circ\text{C}$  for the UC1705,  $-25^\circ\text{C}$  to  $+85^\circ\text{C}$  for the UC2705, and  $0^\circ\text{C}$  to  $+70^\circ\text{C}$  for the UC3705;  $V_S = V_C = 20\text{V}$ ,  $T_A = T_J$ .

| PARAMETERS                        | TEST CONDITIONS                            | MIN | TYP  | MAX  | UNITS            |
|-----------------------------------|--|-----|------|------|------------------|
| $V_S$ Supply Current              | $V_S = 40\text{V}$ , (Outputs High, T Pkg) |     | 6    | 8    | mA               |
|                                   | $V_S = 40\text{V}$ , (Outputs Low, T Pkg)  |     | 8    | 12   | mA               |
| $V_C$ Supply Current (N, J Only)  | $V_C = 40\text{V}$ , Outputs Low           |     | 2    | 4    | mA               |
| $V_C$ Leakage Current (N, J Only) | $V_S = 0$ , $V_C = 30\text{V}$             |     | 0.05 | 0.1  | mA               |
| Digital Input Low Level           |  |     |      | 0.8  | V                |
| Digital Input High Level          |  | 2.2 |      |      | V                |
| Input Current                     | $V_I = 0$                                  |     | -0.6 | -1.0 | mA               |
| Input Leakage                     | $V_I = 5\text{V}$                          |     | 0.05 | 0.1  | mA               |
| Output High Sat., $V_C - V_O$     | $I_O = -50\text{mA}$                       |     |      | 2.0  | V                |
|                                   | $I_O = -500\text{mA}$                      |     |      | 2.5  | V                |
| Output Low Sat., $V_O$            | $I_O = 50\text{mA}$                        |     |      | 0.4  | V                |
|                                   | $I_O = 500\text{mA}$                       |     |      | 2.5  | V                |
| Thermal Shutdown                  |  |     | 155  |      | $^\circ\text{C}$ |

**TYPICAL SWITCHING CHARACTERISTICS:**  $V_S = V_C = 20\text{V}$ ,  $T_A = 25^\circ\text{C}$ . Delays measured to 10% output change.

| PARAMETERS                                    | TEST CONDITIONS | OUTPUT $C_L =$ |     |     | UNIT |
|---|-----------------|----------------|-----|-----|------|
| From Inv. Input to Output:                    |                 | open           | 1.0 | 2.2 | nF   |
| Rise Time Delay                               |                 | 60             | 60  | 60  | ns   |
| 10% to 90% Rise                               |                 | 20             | 40  | 60  | ns   |
| Fall Time Delay                               |                 | 60             | 60  | 60  | ns   |
| 90% to 10% Fall                               |                 | 25             | 40  | 50  | ns   |
| From N. I. Input to Output:                   |                 |                |     |     |      |
| Rise Time Delay                               |                 | 90             | 90  | 90  | ns   |
| 10% to 90% Rise                               |                 | 20             | 40  | 60  | ns   |
| Fall Time Delay                               |                 | 60             | 60  | 60  | ns   |
| 90% to 10% Fall                               |                 | 25             | 40  | 50  | ns   |
| $V_C$ Cross-Conduction Current Spike Duration | Output Rise     | 25             |     |     | ns   |
|   | Output Fall     | 0              |     |     | ns   |

APPLICATIONS



**PACKAGING INFORMATION**

| Orderable Device | Status <sup>(1)</sup> | Package Type | Package Drawing | Pins | Package Qty | Eco Plan <sup>(2)</sup> | Lead/Ball Finish | MSL Peak Temp <sup>(3)</sup> |
|------------------|-----------------------|--------------|-----------------|------|-------------|-------------------------|------------------|------------------------------|
| 5962-9579801M2A  | ACTIVE                | LCCC         | FK              | 20   | 1           | TBD                     | POST-PLATE       | Level-NC-NC-NC               |
| 5962-9579801MPA  | ACTIVE                | CDIP         | JG              | 8    | 1           | TBD                     | A42 SNPB         | Level-NC-NC-NC               |
| 5962-9579801VPA  | ACTIVE                | CDIP         | JG              | 8    | 1           | TBD                     | A42              | Level-NC-NC-NC               |
| UC1705J          | ACTIVE                | CDIP         | JG              | 8    | 1           | TBD                     | A42 SNPB         | Level-NC-NC-NC               |
| UC1705J883B      | ACTIVE                | CDIP         | JG              | 8    | 1           | TBD                     | A42 SNPB         | Level-NC-NC-NC               |
| UC1705L883B      | ACTIVE                | LCCC         | FK              | 20   | 1           | TBD                     | POST-PLATE       | Level-NC-NC-NC               |
| UC2705D          | ACTIVE                | SOIC         | D               | 8    | 75          | Green (RoHS & no Sb/Br) | CU NIPDAU        | Level-2-260C-1 YEAR          |
| UC2705J          | ACTIVE                | CDIP         | JG              | 8    | 1           | TBD                     | A42 SNPB         | Level-NC-NC-NC               |
| UC2705N          | ACTIVE                | PDIP         | P               | 8    | 50          | Green (RoHS & no Sb/Br) | CU NIPDAU        | Level-NC-NC-NC               |
| UC3705D          | ACTIVE                | SOIC         | D               | 8    | 75          | Green (RoHS & no Sb/Br) | CU NIPDAU        | Level-2-260C-1 YEAR          |
| UC3705DTR        | ACTIVE                | SOIC         | D               | 8    | 2500        | Green (RoHS & no Sb/Br) | CU NIPDAU        | Level-2-260C-1 YEAR          |
| UC3705DTRG4      | ACTIVE                | SOIC         | D               | 8    | 2500        | Green (RoHS & no Sb/Br) | CU NIPDAU        | Level-2-260C-1 YEAR          |
| UC3705J          | ACTIVE                | CDIP         | JG              | 8    | 1           | TBD                     | A42 SNPB         | Level-NC-NC-NC               |
| UC3705N          | ACTIVE                | PDIP         | P               | 8    | 50          | Green (RoHS & no Sb/Br) | CU NIPDAU        | Level-NC-NC-NC               |
| UC3705NG4        | ACTIVE                | PDIP         | P               | 8    | 50          | Green (RoHS & no Sb/Br) | CU NIPDAU        | Level-NC-NC-NC               |
| UC3705T          | ACTIVE                | TO-220       | KC              | 5    | 50          | Green (RoHS & no Sb/Br) | CU SN            | Level-NC-NC-NC               |
| UC3705TG3        | ACTIVE                | TO-220       | KC              | 5    | 50          | Green (RoHS & no Sb/Br) | CU SN            | Level-NC-NC-NC               |

<sup>(1)</sup> The marketing status values are defined as follows:

**ACTIVE:** Product device recommended for new designs.

**LIFEBUY:** TI has announced that the device will be discontinued, and a lifetime-buy period is in effect.

**NRND:** Not recommended for new designs. Device is in production to support existing customers, but TI does not recommend using this part in a new design.

**PREVIEW:** Device has been announced but is not in production. Samples may or may not be available.

**OBSELETE:** TI has discontinued the production of the device.

<sup>(2)</sup> Eco Plan - The planned eco-friendly classification: Pb-Free (RoHS) or Green (RoHS & no Sb/Br) - please check <http://www.ti.com/productcontent> for the latest availability information and additional product content details.

**TBD:** The Pb-Free/Green conversion plan has not been defined.

**Pb-Free (RoHS):** TI's terms "Lead-Free" or "Pb-Free" mean semiconductor products that are compatible with the current RoHS requirements for all 6 substances, including the requirement that lead not exceed 0.1% by weight in homogeneous materials. Where designed to be soldered at high temperatures, TI Pb-Free products are suitable for use in specified lead-free processes.

**Green (RoHS & no Sb/Br):** TI defines "Green" to mean Pb-Free (RoHS compatible), and free of Bromine (Br) and Antimony (Sb) based flame retardants (Br or Sb do not exceed 0.1% by weight in homogeneous material)

<sup>(3)</sup> MSL, Peak Temp. -- The Moisture Sensitivity Level rating according to the JEDEC industry standard classifications, and peak solder temperature.

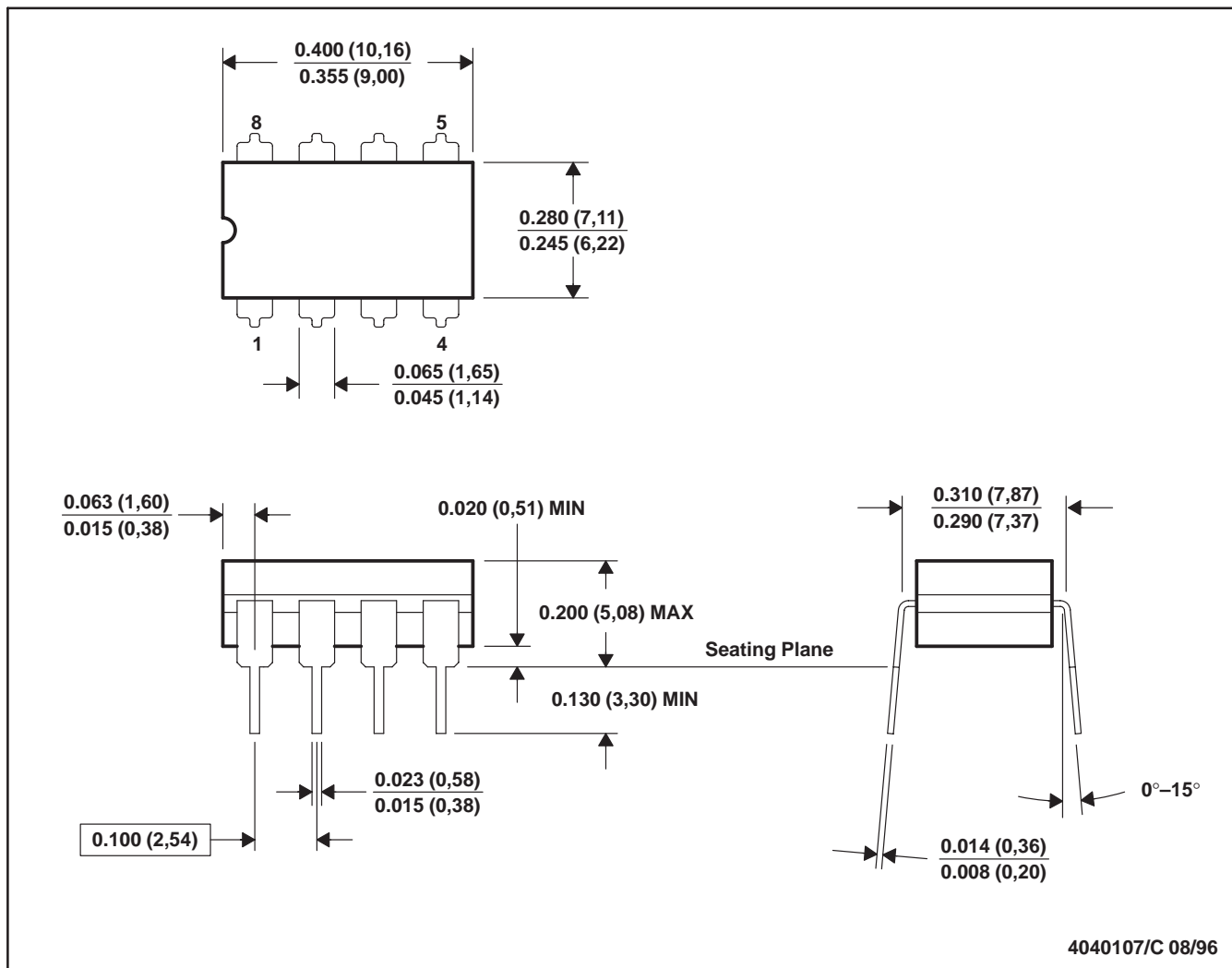
**Important Information and Disclaimer:**The information provided on this page represents TI's knowledge and belief as of the date that it is provided. TI bases its knowledge and belief on information provided by third parties, and makes no representation or warranty as to the accuracy of such information. Efforts are underway to better integrate information from third parties. TI has taken and continues to take reasonable steps to provide representative and accurate information but may not have conducted destructive testing or chemical analysis on incoming materials and chemicals. TI and TI suppliers consider certain information to be proprietary, and thus CAS numbers and other limited

information may not be available for release.

In no event shall TI's liability arising out of such information exceed the total purchase price of the TI part(s) at issue in this document sold by TI to Customer on an annual basis.

JG (R-GDIP-T8)

CERAMIC DUAL-IN-LINE

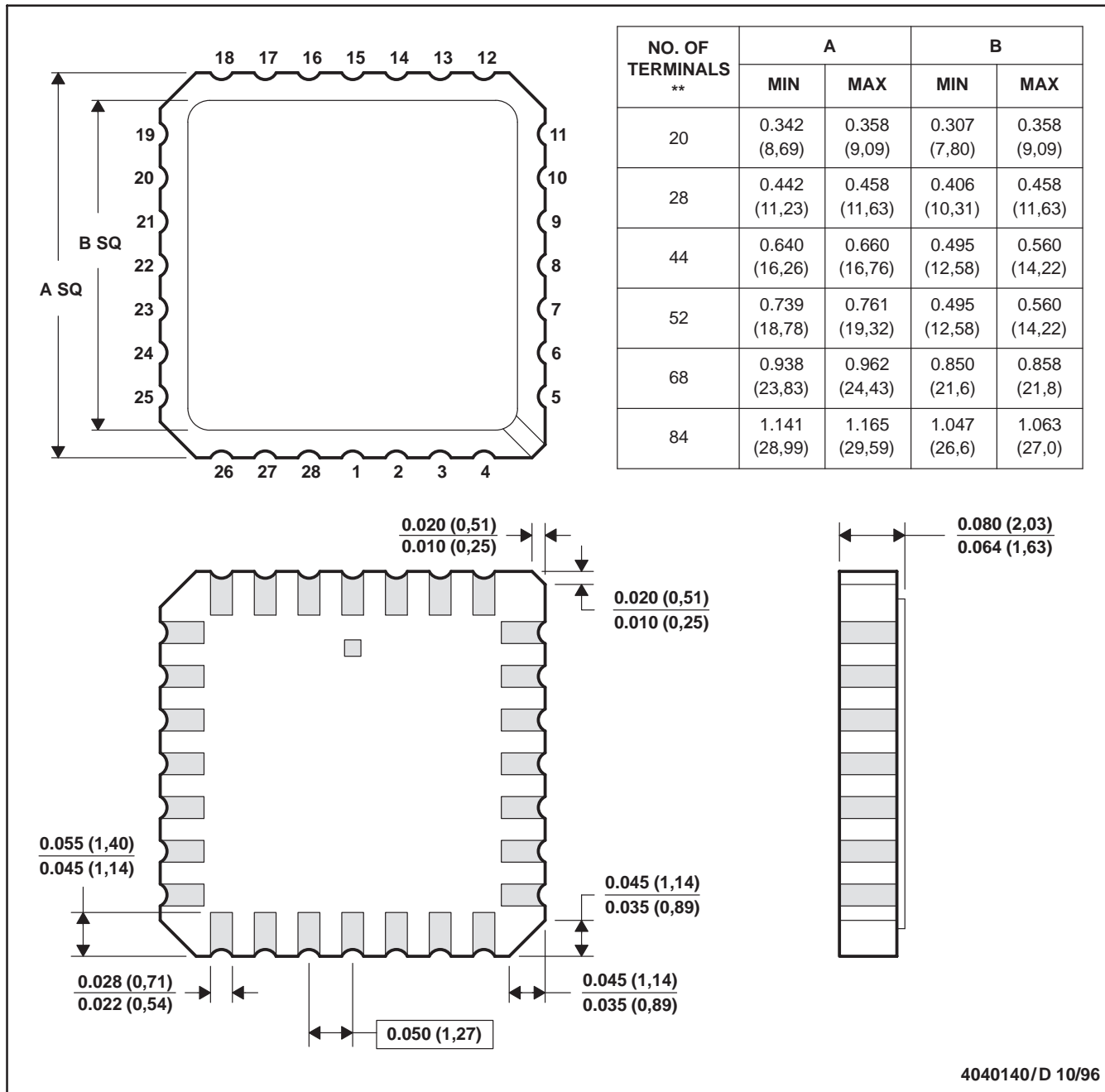


- NOTES: A. All linear dimensions are in inches (millimeters).  
 B. This drawing is subject to change without notice.  
 C. This package can be hermetically sealed with a ceramic lid using glass frit.  
 D. Index point is provided on cap for terminal identification.  
 E. Falls within MIL STD 1835 GDIP1-T8

FK (S-CQCC-N\*\*)

LEADLESS CERAMIC CHIP CARRIER

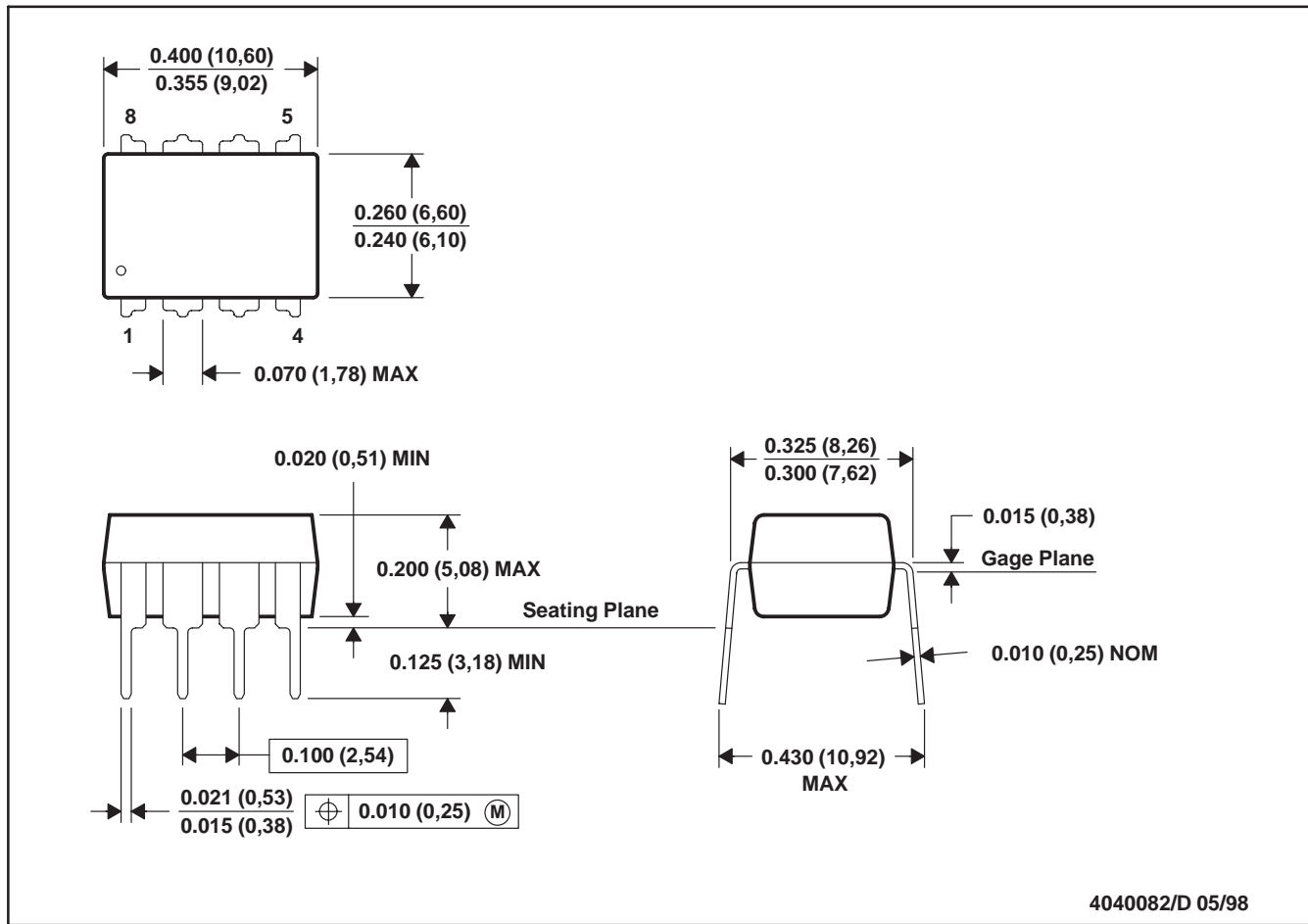
28 TERMINAL SHOWN



- NOTES:
- A. All linear dimensions are in inches (millimeters).
  - B. This drawing is subject to change without notice.
  - C. This package can be hermetically sealed with a metal lid.
  - D. The terminals are gold plated.
  - E. Falls within JEDEC MS-004

P (R-PDIP-T8)

PLASTIC DUAL-IN-LINE



- NOTES: A. All linear dimensions are in inches (millimeters).  
 B. This drawing is subject to change without notice.  
 C. Falls within JEDEC MS-001

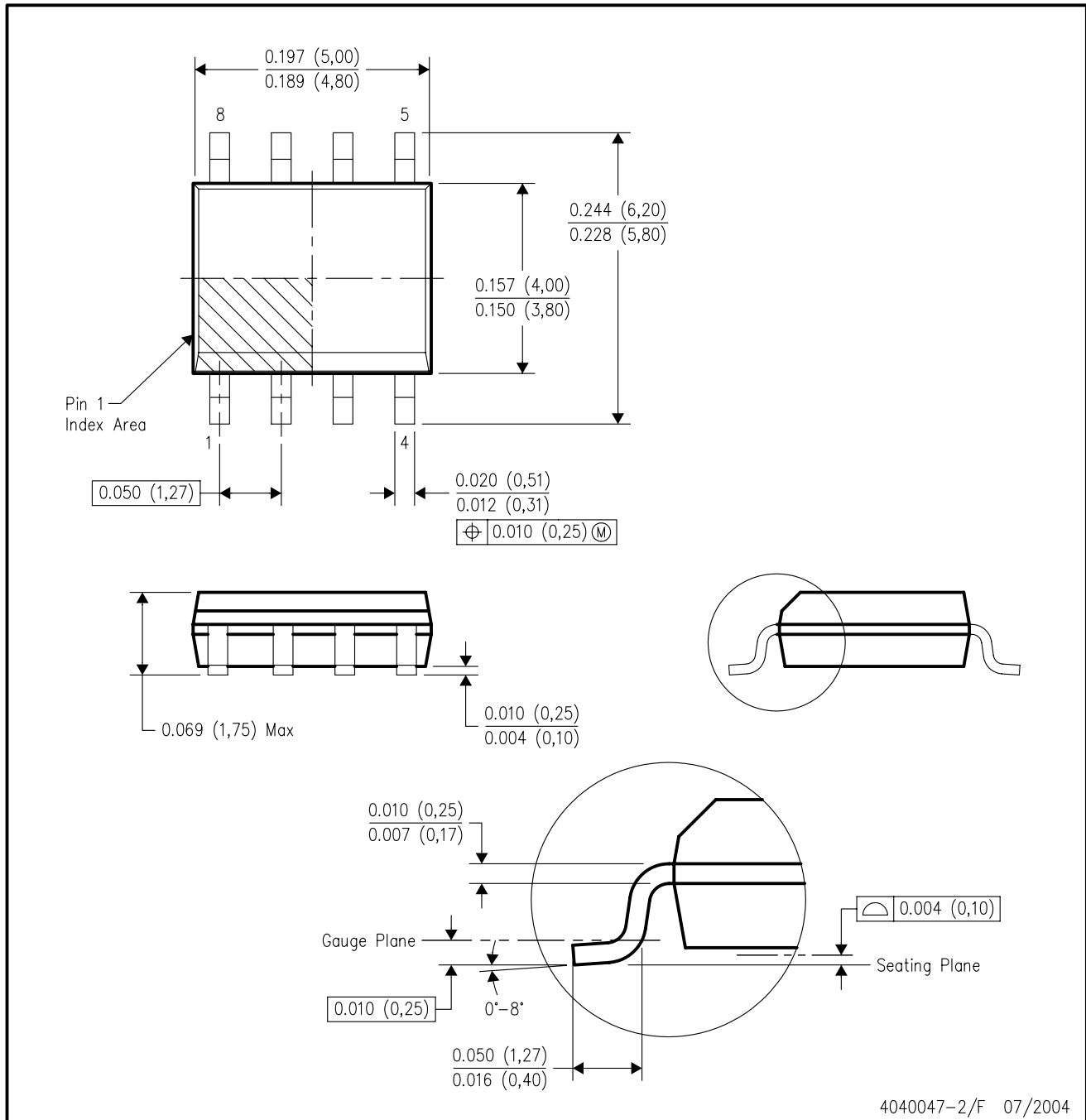
For the latest package information, go to [http://www.ti.com/sc/docs/package/pkg\\_info.htm](http://www.ti.com/sc/docs/package/pkg_info.htm)





D (R-PDSO-G8)

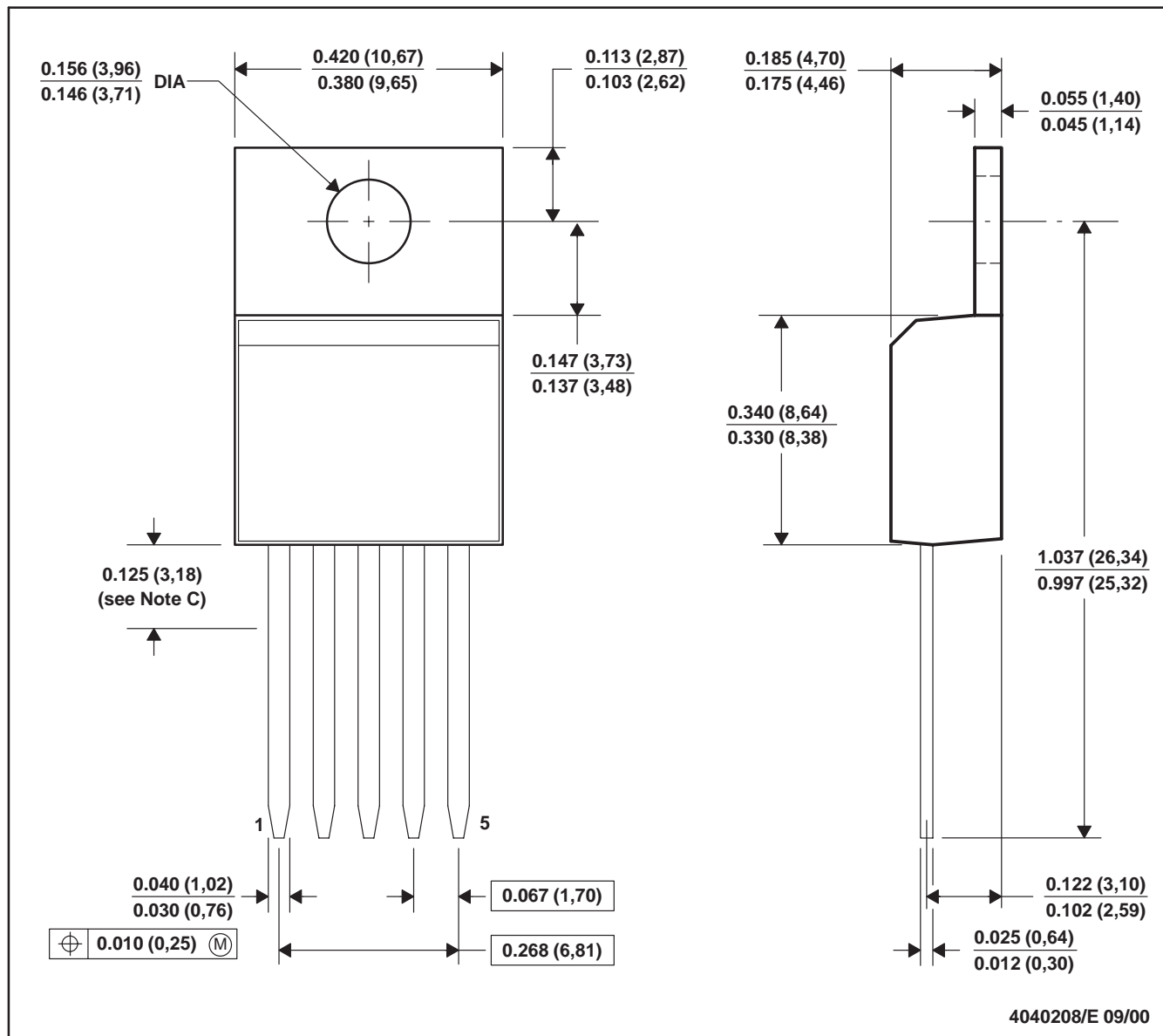
PLASTIC SMALL-OUTLINE PACKAGE



- NOTES:
- A. All linear dimensions are in inches (millimeters).
  - B. This drawing is subject to change without notice.
  - C. Body dimensions do not include mold flash or protrusion not to exceed 0.006 (0,15).
  - D. Falls within JEDEC MS-012 variation AA.

KC (R-PSFM-T5)

PLASTIC FLANGE-MOUNT



- NOTES: A. All linear dimensions are in inches (millimeters).  
 B. This drawing is subject to change without notice.  
 C. Lead dimensions are not controlled within this area.  
 D. All lead dimensions apply before solder dip.  
 E. The center lead is in electrical contact with the mounting tab.

## IMPORTANT NOTICE

Texas Instruments Incorporated and its subsidiaries (TI) reserve the right to make corrections, modifications, enhancements, improvements, and other changes to its products and services at any time and to discontinue any product or service without notice. Customers should obtain the latest relevant information before placing orders and should verify that such information is current and complete. All products are sold subject to TI's terms and conditions of sale supplied at the time of order acknowledgment.

TI warrants performance of its hardware products to the specifications applicable at the time of sale in accordance with TI's standard warranty. Testing and other quality control techniques are used to the extent TI deems necessary to support this warranty. Except where mandated by government requirements, testing of all parameters of each product is not necessarily performed.

TI assumes no liability for applications assistance or customer product design. Customers are responsible for their products and applications using TI components. To minimize the risks associated with customer products and applications, customers should provide adequate design and operating safeguards.

TI does not warrant or represent that any license, either express or implied, is granted under any TI patent right, copyright, mask work right, or other TI intellectual property right relating to any combination, machine, or process in which TI products or services are used. Information published by TI regarding third-party products or services does not constitute a license from TI to use such products or services or a warranty or endorsement thereof. Use of such information may require a license from a third party under the patents or other intellectual property of the third party, or a license from TI under the patents or other intellectual property of TI.

Reproduction of information in TI data books or data sheets is permissible only if reproduction is without alteration and is accompanied by all associated warranties, conditions, limitations, and notices. Reproduction of this information with alteration is an unfair and deceptive business practice. TI is not responsible or liable for such altered documentation.

Resale of TI products or services with statements different from or beyond the parameters stated by TI for that product or service voids all express and any implied warranties for the associated TI product or service and is an unfair and deceptive business practice. TI is not responsible or liable for any such statements.

Following are URLs where you can obtain information on other Texas Instruments products and application solutions:

| <b>Products</b>  |  | <b>Applications</b> |  |
|------------------|--|---------------------|--|
| Amplifiers       | <a href="http://amplifier.ti.com">amplifier.ti.com</a>             | Audio               | <a href="http://www.ti.com/audio">www.ti.com/audio</a>                   |
| Data Converters  | <a href="http://dataconverter.ti.com">dataconverter.ti.com</a>     | Automotive          | <a href="http://www.ti.com/automotive">www.ti.com/automotive</a>         |
| DSP              | <a href="http://dsp.ti.com">dsp.ti.com</a>                         | Broadband           | <a href="http://www.ti.com/broadband">www.ti.com/broadband</a>           |
| Interface        | <a href="http://interface.ti.com">interface.ti.com</a>             | Digital Control     | <a href="http://www.ti.com/digitalcontrol">www.ti.com/digitalcontrol</a> |
| Logic            | <a href="http://logic.ti.com">logic.ti.com</a>                     | Military            | <a href="http://www.ti.com/military">www.ti.com/military</a>             |
| Power Mgmt       | <a href="http://power.ti.com">power.ti.com</a>                     | Optical Networking  | <a href="http://www.ti.com/opticalnetwork">www.ti.com/opticalnetwork</a> |
| Microcontrollers | <a href="http://microcontroller.ti.com">microcontroller.ti.com</a> | Security            | <a href="http://www.ti.com/security">www.ti.com/security</a>             |
|                  |  | Telephony           | <a href="http://www.ti.com/telephony">www.ti.com/telephony</a>           |
|                  |  | Video & Imaging     | <a href="http://www.ti.com/video">www.ti.com/video</a>                   |
|                  |  | Wireless            | <a href="http://www.ti.com/wireless">www.ti.com/wireless</a>             |

Mailing Address: Texas Instruments  
 Post Office Box 655303 Dallas, Texas 75265